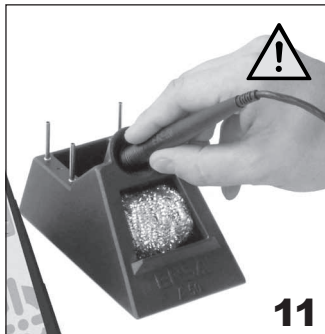
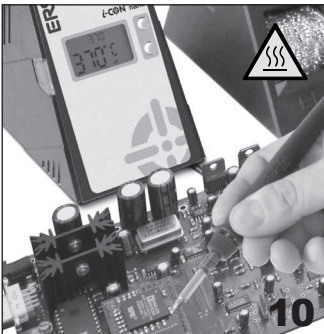
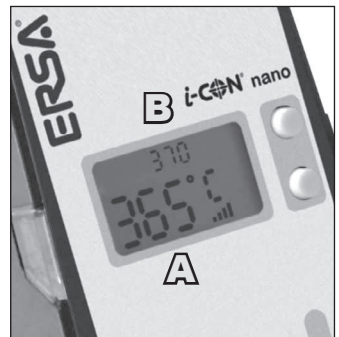
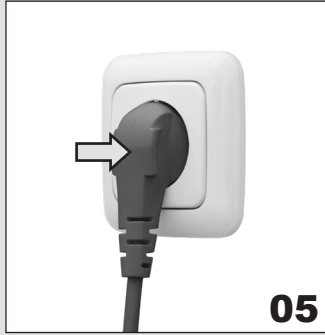
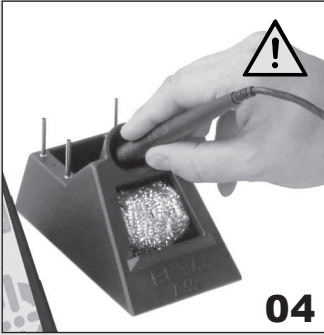
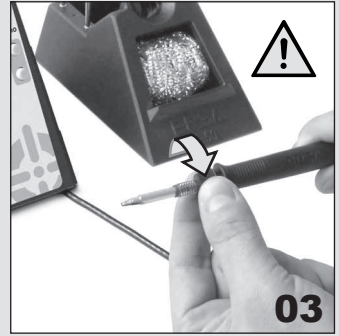
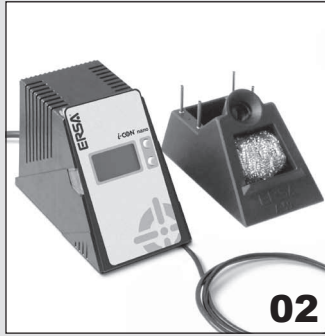
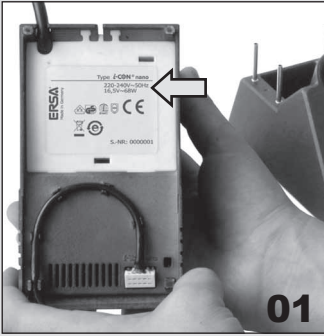


# ERSA

i-CON<sup>®</sup> nano





# Commissioning

- 01** *Adjust mains voltage in accordance with type plate.*
- 02** *Set up soldering station and stand in a dry place.*
- 03** *Check for correct fit of soldering tip.*
- 04** *Place soldering iron into holder stand.*
- 05** *Insert plug into socket.*
- 06** *Switch on soldering station. ATTENTION! Soldering tip is hot! Risk of burning yourself!*

## Many thanks for purchasing an ERSA soldering station.

Read user manual and safety instructions carefully and keep in a safe place for future use.

Check contents of package to ensure that no components are missing. Contact dealer if a component is missing.

### Scope of delivery:

1x i-CON nano soldering station  
1x i-Tool nano soldering iron  
1x soldering tip (fitted)  
1x holder stand  
1x user manual  
1x set of safety instructions

### Key to symbols:



Attention!  
Danger spot



Hot surface!  
Risk of burning yourself!

- 07** *Soldering station heats up to the default value.*
- 08** *Press top key to increase temperature, press bottom key to decrease temperature.*
- 09** *Digital display shows actual value (A) and default value (B).*
- 10** *Solder when the set temperature has been reached.*
- 11** *Place soldering iron only onto holder stand.*
- 12** *After work or during prolonged breaks, switch off appliance and remove plug.*

# Soldering

**The soldering station is designed for soft solder soldering at various temperatures. After appliance is switched on, the soldering tip is heated up automatically to the most recently set temperature.**

The soldering results depend on how suitable the soldering tip is to the job. When soldering large-size jobs, our more powerful i-CON1 and i-CON2 soldering stations should be used.

Default value: 360 °C / 680 °F  
Value range: 150 to 450 °C  
300 to 842 °F

## Changing the soldering tip

Various soldering tips can be used with the i-CON nano soldering station. In this way, the soldering station can be adapted to various areas of operation. See page 48.

More soldering tips are available from the ERSA dealer. Downloadable overview of standard tips:

[http://i-tool.de/mediothek/pdf/3ba00172\\_spitzen.pdf](http://i-tool.de/mediothek/pdf/3ba00172_spitzen.pdf)

Downloadable overview of special tips:

[http://i-tool.de/mediothek/pdf/3ba00176\\_spc\\_itips.pdf](http://i-tool.de/mediothek/pdf/3ba00176_spc_itips.pdf)

- 13** *Switch off soldering station and allow soldering tip to cool to approx. 40 °C / 104 °F.*
- 14** *Screw soldering tip onto the knurled section of the soldering iron.*
- 15** *Remove soldering tip from soldering iron.*
- 16** *Place desired soldering tip onto soldering iron.*
- 17** *Fit soldering tip with knurled section onto soldering iron and check for correct fit.*
- 18** *Switch on soldering station. ATTENTION! Soldering tip is hot! Risk of burning yourself!*

## Temperature calibration

If the set temperature and the actual temperature of the soldering tip do not concur, then the temperature can be calibrated in order to resume work at exact soldering temperatures.

Default value: 0

Value range: -70 to +50 °C  
-126 to +90 °F

- 19** *Select reference value for calibration at the soldering station.*
- 20** *Determining actual temperature using a digital temperature-measuring instrument.*
- 21** *Calculating deviation between reference value and actual value.*
- 22** *Press both keys briefly to call up the calibration menu.*
- 23** *Setting temperature using the keys in accordance with the deviation.*
- 24** *Wait five seconds to save the value.*

## Standby time

After a certain time, the appliance reduces the soldering temperature to save power.

To quit stand-by, press key or cool the soldering tip by approx. 5 °C / 9 °F.

Default value: 5 Min.  
Value range: 0 to 60 Min.  
0 = Off

- A** Hold down both keys for a prolonged period to open the standby time menu.
- B** Adjust standby time by pressing the keys (0 = Off).
- C** Wait five seconds to save the value.

## Soldering iron

If required, the soldering iron can be changed or exchanged.

Use only soldering irons bearing the description ERSA i-tool nano.

Installation of the exchange iron is by analogy the reverse of the dismantling sequence.

- A** Turn appliance onto its side.
- B** Pull cable of soldering iron out of holders.
- C** Remove plug in the direction of the operating panel.

## SD card

Using a micro SD card will permit further settings to be made via software:

- Stand-by temperature & time
- Shutdown time
- Keylock function
- Display in °C or °F
- Up to 3 fixed temperatures
- Power functions can be assigned

For further information on using the micro SD (HC) card, please consult the software manual.

Both software and the manual can be downloaded free by going to the following link:

<http://www.ersa.com/nano>

## Error codes

In the event of an error, an error code appears on the display. The number above the label 'Err' provides information about the error present.

Codes 7 and 8 indicate faults in the heating element in the soldering iron:

- Err7 Insert heating element and press key.
- Err8 Change heating element

For further information, go to the following link:

<http://www.ersa.com/nano>

## Technical specifications

### i-CON nano soldering station:

Power rating:

Operating voltage:

Temperature range:

Dimensions L x W x H:

Weight:

### i-tool nano soldering iron:

Dimensions:

Weight:

### Holder stand:

Dimensions L x W x H:

Weight:

**Order No.: 01C1200A**

68 watts

220 - 240 V ~ 50/60 Hz

110 - 120 V ~ 50/60 Hz

150 - 450 °C

300 - 842 °F

145 mm x 80 mm x 103 mm

1050 g

**Order No.: 0120CDK**

L x handle- $\varnothing$  / 175 mm x 12 mm

30 g (without cable)

**Order No.: 0A050**

140 mm x 80 mm x 80 mm

200 g

## Guarantee

Heating element, and soldering and desoldering tips constitute parts subject to wear that are not covered by the guarantee. Material defects or manufacturing defects must be stated in addition to providing proof of purchase prior to certified return of goods. Statement of defects and proof of purchase must be returned along with the goods.

ERSA has created this manual with the utmost care. However, no guarantee is provided as regards content, completeness and quality of the details contained in this manual. Content is maintained and adapted to prevailing conditions. All data published in this

manual and details on products and methods have been ascertained by using state-of-the-art aids according to the best of our knowledge. These details are not binding and do not relieve the user of personal responsibility to check the appliance prior to use. We accept no responsibility for infringements of third-party patent rights for applications and procedures without prior express and written acknowledgement. We reserve the right to undertake technical improvements for the purposes of product improvement.

As part of legal means, liability for direct damage, consequential damage and third-party

damage resulting from the acquisition of this product is excluded.

All rights reserved. Without written approval of ERSA GmbH, this instruction manual may not, even in extract form, be reproduced, transmitted or translated into another language.

## Disposal



Should be done according to Directive 2002/96/EC of the European Parliament and of the

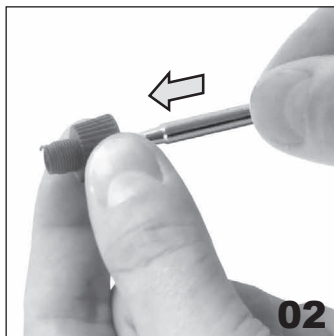
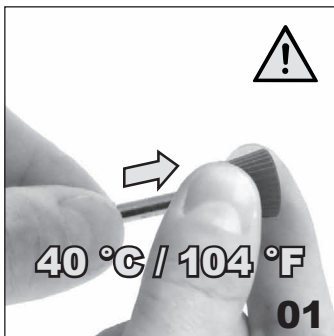
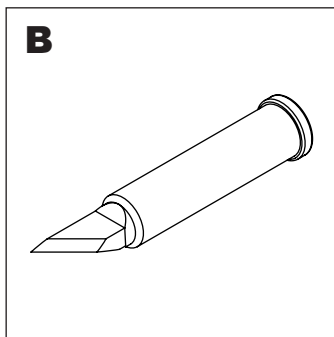
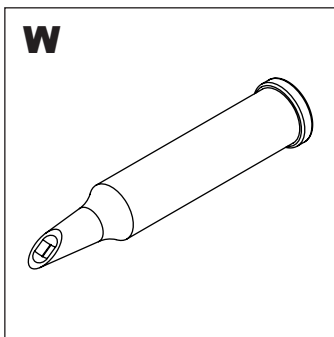
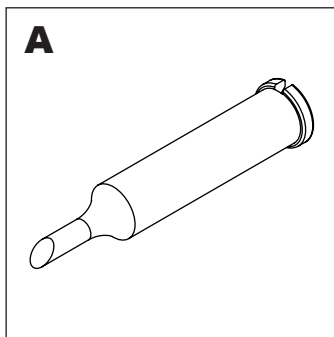
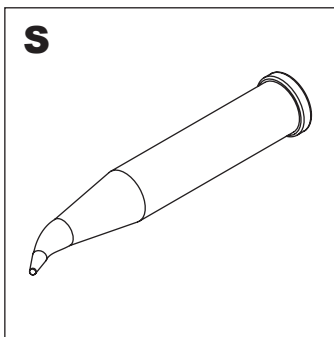
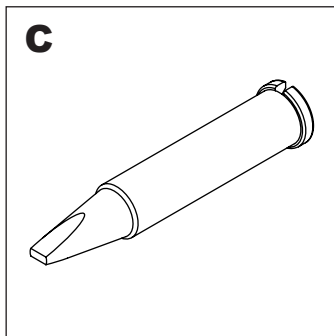
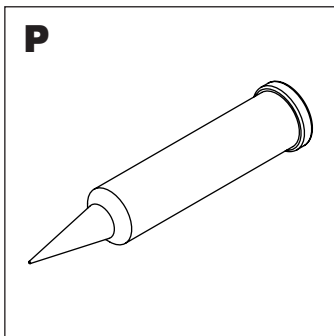
Council dated 27.01.2003 applicable to used electrical and electronic appliances. Products bearing the symbol of a strikethrough refuse bin must not be disposed of along with unsorted domestic refuse. The municipalities have set up collection points for this purpose. Please consult your municipal or local authority concerning facilities available for separate collection of used appliances.

sation of used appliances in the interests of environmental protection and human health.

In this way, you contribute to reuse or other forms of utili-

**Lötspitzen**  
**Soldering tips**  
**Panne**  
**Soldadura consejos**  
**Brasatura suggerimenti**  
**Soldering dicas**  
**Пайка советы**  
 نصائح لحام  
 はんだ付けのコツ  
 焊錫秘訣  
 팁 낚뻘

[http://i-tool.de/mediothek/pdf/3ba00172\\_spitzen.pdf](http://i-tool.de/mediothek/pdf/3ba00172_spitzen.pdf)



Ersatzteile & Zubehör  
Replacement parts &  
Accessories

Pièces de rechange  
et accessoires

Piezas de repuesto  
y accesorios

Parti di ricambio e accessori

Peças sobressalentes  
e acessórios

Запчасти и принадлежности

قطع غيار واكسسوارات

予備部品 および 付属品

备件和配件

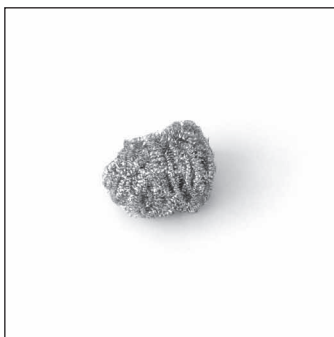
보충 부품과 부속품



ERSA i-tool nano  
0120CDK



ERSA A50  
0A050



ERSA A50 S  
0008M



ERSA DTM 100  
0DTM100



